

6" New Construction and Remodel LED Downlight Fixtures



MaxLite's LED downlights are great energy efficient solutions for recessed lighting applications. The new construction and remodel fixtures have been engineered to make installation in grid ceilings and dry wall ceilings a snap. Each recessed fixture is supplied with a performance-leading LED module and white trim ring that installs flush to the ceiling.

A high performance LED array emits industry leading lumen output, high CRI (85), and still delivers extended lifetime in excess of a 50,000 L70 measurement.

PROJECT NAME
CATALOG NUMBER
NOTES
FIXTURE TYPE

FEATURES:

- Fully dimmable down to 10 percent
- High lumen transmission and diffusing for even illumination
- CRI: >85
- Suitable for dry and wet locations
- Airtight rated – meets airtight requirements for 2.0 CFM or less air leakage
- Rated for direct insulation contact
- Supplied with internal thermal protection
- Universal voltage 120-277 volt
- Power factor: >.9
- Beam angle: 90 degree
- Available in 3000K and 5000K



RF614ICAT30W



RFR614ICAT30W

CONSTRUCTION:

- New construction housing includes 13" hanger bars, supplied with pre-installed nails: just hammer and go
- Impact-resistant plastic lens
- Housing and trim are gasketed to maximize building energy efficiency
- Hanger bars feature notches for easy installation to grid ceilings, which can be secured using wire or screws
- Remodel housing includes three push out mounting clips for easy installation
- Recessed housing is aluminum; new construction frame is steel

Luminaire Ordering Information:



Watts	Order Number	Model Number	Lumens	CRI	L70 Lifetime (Hours)	Fixture Dimensions (W" x H" x L")	CCT
14	71781	RF614ICAT30W	900	85	50,000	7.6 x 7.5 x 10.4	3000
14	71783	RF614ICAT50W	1000	85	50,000	7.6 x 7.5 x 10.4	5000
14	71787	RFR614ICAT30W	900	85	50,000	6.1 x 7.5 x 12.8	3000
14	71789	RFR614ICAT50W	1000	85	50,000	6.1 x 7.5 x 12.8	5000

MAX12208

Lighting layouts and spacing criteria available upon request

SPECIFICATIONS:

Item	Specification	RF614ICAT30W	RF614ICAT50W	RFR614ICAT30W	RFR614ICAT50W
General Performance	Spacing Criteria	Available upon request		Available upon request	
	Color Temperature	3000K	5000K	3000K	5000K
	Lumens Delivered	900	1000	900	1000
	Efficacy	64 lm/w	71 lm/w	64 lm/w	71 lm/w
	Color Consistency	Proprietary binning for uniform color			
	Lumen Maintenance (L70)	50,000 Hours			
Physical	Dimensions (W" x H" x L")	7.6" x 7.5" x 10.4"		6.1" x 7.5" x 12.8"	
	Weight	1 lb.			
	Housing	Aluminum			
	Lens	Polycarbonate			
	Mounting	Hanger bars for joists or grid ceilings		Mounting clips	
	Operating Temperature	-4°F to 113°F			
Certification	Certification	ETL, LM-79, LM-80			
	Material Usage	RoHS compliant; no mercury			
	Environment	Indoor/Outdoor			
	Warranty	5 Years			

Lighting layouts and spacing criteria available upon request

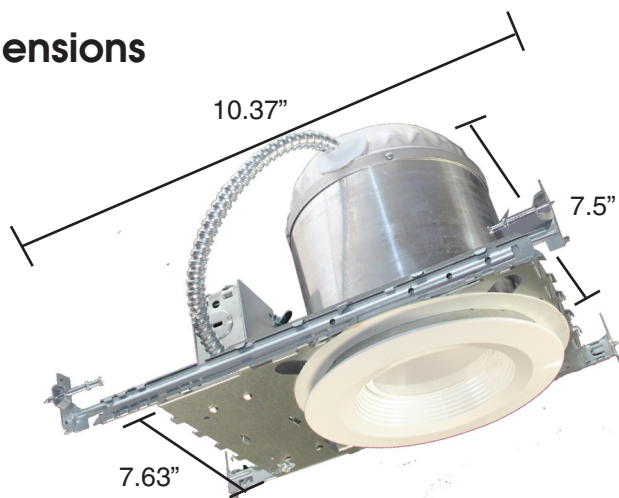
Approved Dimmers

120V Approved Dimmers

- Lutron: NovaT (Ntelv300 & 600)
Diva (Dvelv-300P & 303P)
- Leviton: Acenti: Ate06-1Lw
Trimatron: 703W

Consult tech. service or factory for additional dimmers

Dimensions



RF614ICAT30W



RFR614ICAT30W

6.12"
Width of inner can

