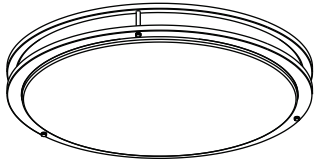


INSTALLATION INSTRUCTIONS



LED FLUSH MOUNT FIXTURE



WARNING

FOR YOUR SAFETY READ AND UNDERSTAND INSTRUCTIONS COMPLETELY BEFORE STARTING INSTALLATION. BEFORE WIRING TO POWER SUPPLY, TURN OFF ELECTRICITY AT THE FUSE OR CIRCUIT BREAKER BOX.



CAUTION: RISK OF FIRE

SUPPLY CONDUCTORS (POWER WIRES) CONNECTING THE FIXTURE MUST BE RATED MINIMUM 90°C. IF UNCERTAIN, CONSULT AN ELECTRICIAN.



CAUTION: RISK OF ELECTRIC SHOCK

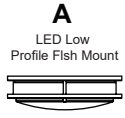
DISCONNECT POWER BEFORE OR CIRCUIT BREAKER BEFORE INSTALLING OR SERVICING.



SAFETY PRECAUTIONS

FOR SAFETY, READ AND UNDERSTAND INSTRUCTIONS COMPLETELY BEFORE STARTING INSTALLATION. ELECTRICITY SHOULD BE TURNED OFF AT THE FUSE OR THE CIRCUIT BREAKER BOX BEFORE INSTALLING THE FIXTURE. ALL ELECTRICAL CONNECTIONS MUST BE IN ACCORDANCE WITH N. E. C. OR YOUR LOCAL CODE.

PACKAGE CONTENTS



(1 pc)



(2 pcs)



(3 pcs)

COMPATIBLE DIMMERS

LUTRON	LEVITON
• PD-6WCL	• 6681
• DVCL-153P	• 6672
• CTCL-153P	
• MACL-153M	
• TGCL-153P	

ASSEMBLY INSTRUCTIONS

1. PREPARING FOR INSTALLATION: DISCONNECT ELECTRICAL POWER BEFORE INSTALLING OR SERVICING ANY PART OF THIS FIXTURE.
2. THIS PRODUCT SHALL BE SURFACE MOUNTED WITH JUNCTION BOX OR NON-COMBUSTIBLE SURFACE ABOVE 4 FEET (1.2 METER) HIGH. USER SHOULD PREPARE NECESSARY ACCESSORIES AND SPARE PARTS (NOT PROVIDED) INCLUDING JUNCTION BOX AND SCREWS.

TOOLS REQUIRED



Wire Strippers

Safety Goggles

Ladder

Gloves

Flathead Screwdriver

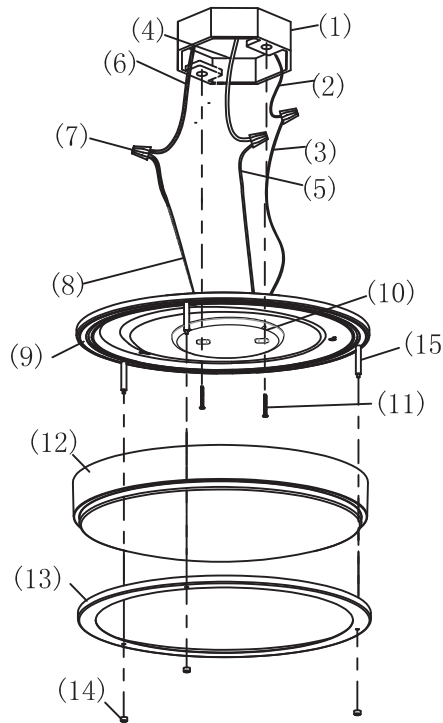
Phillips Screwdriver

Electrical Tape

Wire Cutters

INSTALLATION (CONSULT A QUALIFIED ELECTRICIAN BEFORE INSTALLING)

1. Turn off the power
2. Remove the DECORATIVE NUT (16) from the METAL RING (15). Remove the METAL RING (15) and ACRYLIC LENS (14) from the FIXTURE PAN (11).
3. Pull the SUPPLY WIRES (4) & (6) and HOUSE GROUND WIRE (2) out from the OUTLET BOX (1). Make the wiring connections: connect the HOUSE GROUND WIRE (2) to the FIXTURE GROUND WIRE (3) connect the WHITE SUPPLY WIRE (4) to the WHITE FIXTURE WIRE (5); connect BLACK SUPPLY WIRE (6) to the BLACK FIXTURE WIRE (8), using WIRE CONNECTORS (7). Carefully tuck all wires back into the OUTLET BOX (1).
4. MOUNTING SCREW (13) through the large opening of the keyhole slot and then twist to the narrow opening of the key hole slot. Put the other MOUNTING SCREW (13) through the long slot on the FIXTURE PAN (11) and thread it into the OUTLET BOX (1). Then secure the FIXTURE PAN (11) to the OUTLET BOX (1) by tightening the two MOUNTING SCREW (13).
5. Place the ACRYLIC LENS (14) over the FIXTURE PAN (11). Place the METAL RING (15) over the ACRYLIC LENS (14) lining up the holes with the fixture pan POST (17) and securing it with the three DECORATIVE NUTS (20).



1. OUTLET BOX
2. HOUSE GROUND WIRE
3. FIXTURE GROUND WIRE
4. WHITE SUPPLY WIRE
5. WHITE FIXTURE WIRE
6. BLACK SUPPLY WIRE
7. WIRE CONNECTOR
8. BLACK FIXTURE WIRE
9. FIXTURE PAN
10. INNER LENS
11. MOUNTING SCREWS
14. DECORATIVE NUT
12. ACRYLIC LENS
13. METAL RING
15. POST



WARNING:

Changes or modifications not expressly approved by the party responsible for compliance could void the user's authority to operate the equipment.